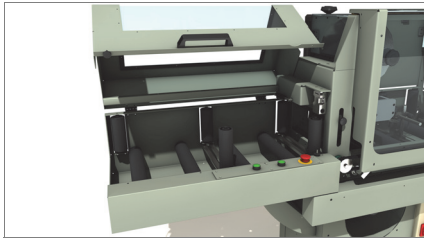
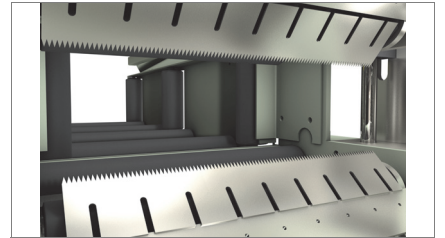


Dual Skin

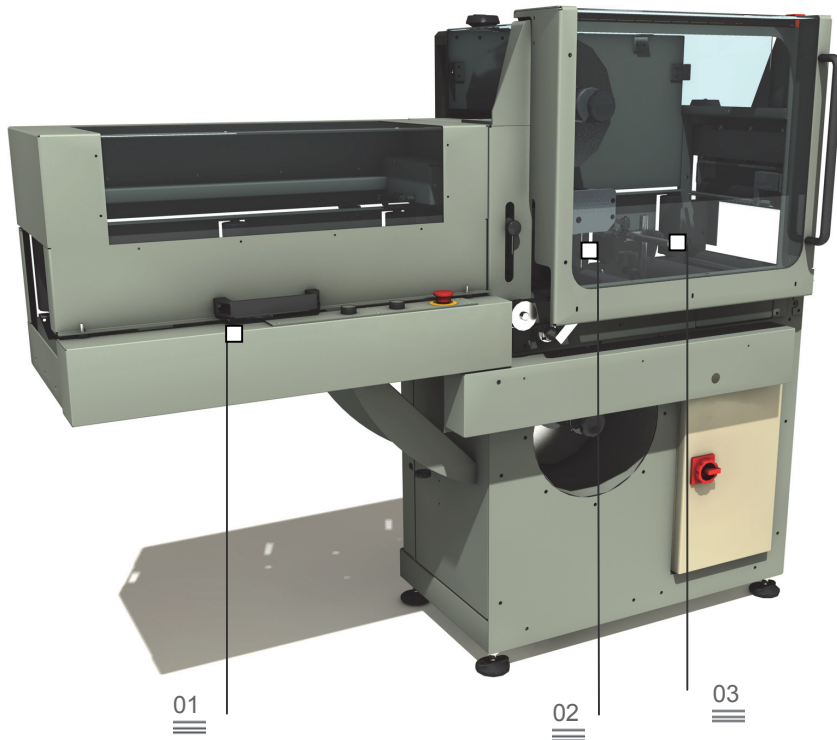
Film wrapping machine



Profile support roller conveyor 01

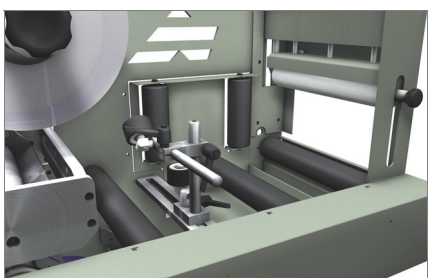


Cutting head 02

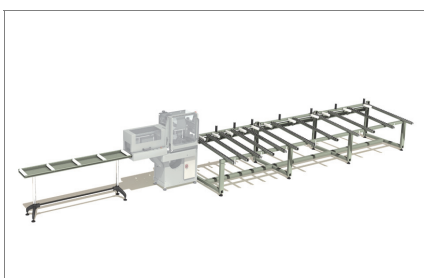


Machine for application of protective film on aluminium profiles. The profile is fed automatically via motorized rolls while the perfect adhesion of the film to the profile is ensured by pressure rolls. An optional additional kit allows applying the film simultaneously also on a third face.

kit of adjustable guide rollers (optional) 03



Loading roller conveyor and unloading magazine (optional) 04



Kit for 3rd face (optional) 05



Dual Skin

Film wrapping machine

01 Profile support roller conveyor

Allows correct positioning in the machine and firm support of the profile in the work zone. The live rolls are motor-driven and facilitate the profile movement operations

02 Cutting head

The cutting head supports a knife with serrated edge which cuts the film automatically after the profile has passed

03 kit of adjustable guide rollers (optional)

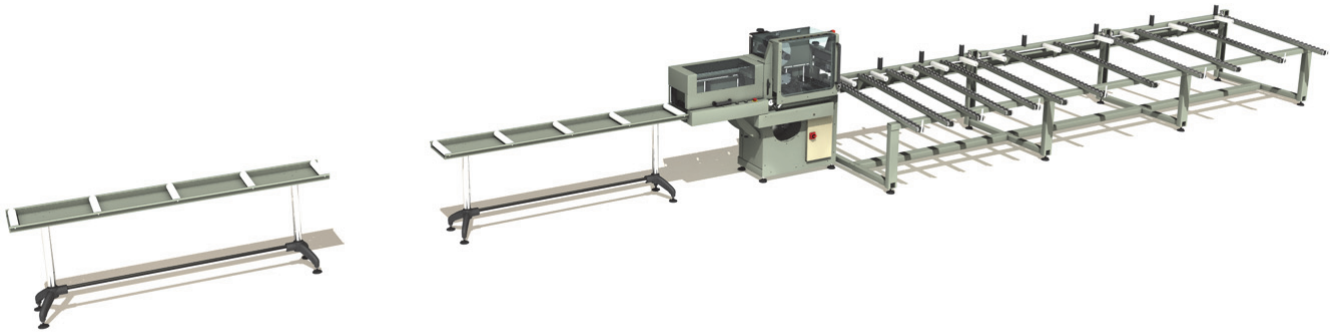
On request an optional kit of adjustable rollers is available for installation on the machine. This kit has been conceived for profiles with sloping or curved surfaces in order to ensure that the film adheres perfectly.

04 Loading roller conveyor and unloading magazine (optional)

On request, the machine can be provided with an additional roller conveyor for longer workpieces and a large capacity unloading magazine for collecting the film-coated profiles

05 Kit for 3rd face (optional)

The optional 3rd face kit, which can be mounted on request on the machine, serves for applying the film also on a side face



CAPACITY	
Max. film coating width (mm)	250
Max. film coating height (mm)	120
Min. film coating thickness (mm)	20
Min. profile length (mm)	500
Max. diameter, film roll (mm)	300
Film thickness (μ)	36 + 60
DIMENSIONS	
Height (mm)	1450
Depth (mm)	690
Width (mm)	1750
Weight (kg)	275
CHARACTERISTICS	
Automatic cutting of film at end of bar	•
Workpiece feed rate (m/min)	7,8 ÷ 15
Air consumption (Nl/cycle)	2
Installed power (kW)	0,55
OPTIONALS	
Film coating unit for 3rd face	•
Kit of adjustable guide rollers	•
In-feed roller conveyor, size (mm)	5.800 x 400 x 850
Automatic bar unloading roller conveyor, size (mm)	6.100 x 1.600 x 850